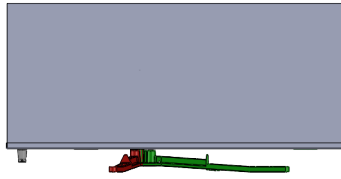


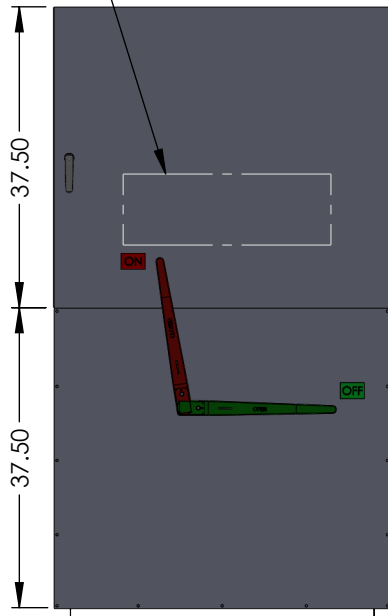
TOP VIEW



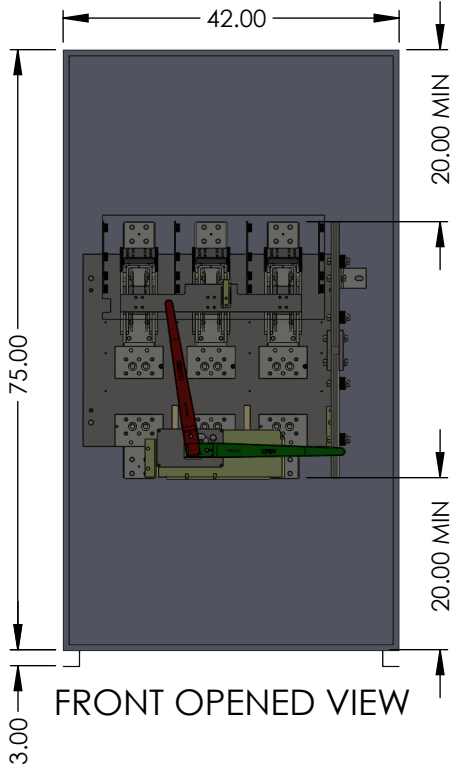
NOTES:

- 1. BOX AND COVER CONSTRUCTION - GALV SHEET STEEL (12GA).
- 2. FINISH: POWDERCOAT GRAY ENAMEL.
- 3. BUS BARS- COPPER 98% CONDUCTIVITY.
- 4. TERMINALS INCLUDED - SEE CHART FOR # OF SETS.
- 5. TOP HINGED COVER WRAPS AROUND EDGES ON 3 SIDES, HINGE ON RIGHT SIDE IS STANDARD, BOTTOM COVER IS A FLAT SCREW COVER.
- 6. NO VENTING UNLESS SPECIFICALLY REQUESTED.
- 7. LOCKABLE IN "OFF" POSITION STANDARD - LOCKABLE IN "ON" AVAILABLE BY REQUEST.
- 8. ISOLATED NEUTRAL BUS WITH REMOVABLE LINK IN CENTER AVAILABLE BY REQUEST.
- 9. PADMOUNT IS STANDARD.

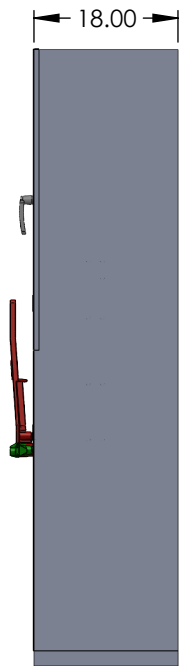
OPTIONAL VIEWING WINDOW (NON STANDARD)



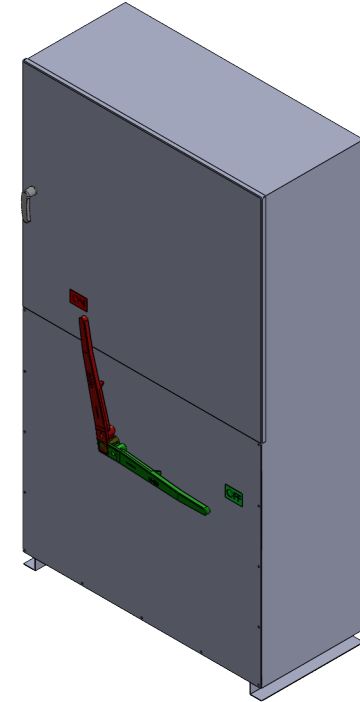
FRONT COVERED VIEW



FRONT OPENED VIEW



SIDE VIEW



PART #	AMPS	MAX VOLTS	FEED	SWITCH	LUGS
3000BPS-T	3000A	600V	TOP	VL4612N	8 SETS 600MCM
3000BPS-B	3000A	480V	BOTTOM	VLB4412N	8 SETS 600MCM
4000BPS-T	4000A	600V	TOP	SL4613N	10 SETS 600MCM
4000BPS-B	4000A	480V	BOTTOM	SLB4413N	10 SETS 600MCM

B

B

A

A

DRAWN BY	NAME	DATE
REVIEWED BY	N. BOSETTI	2/11/2025

**NAV-TECH**  
INCORPORATED

155 MARCUS BLVD  
HAUPPAUGE, NEW YORK 11788  
PH: (718) 257-2111 FAX: (718) 257-2626

MAT'L: 12 GAUGE GALV STEEL

FINISH: GRAY POWDER COAT ANSI 61

WEIGHT:

ALL DIMENSIONS ARE NOMINAL UNLESS EXPLICITLY STATED OTHERWISE

DRAWING TITLE: 3000A-4000A ENCLOSED BPS

PART #: XXXXBPS-X

**DO NOT SCALE DRAWING**

DESCRIPTION: NEMA 1 ENCLOSED BOLTED PRESSURE SWITCH 3P/4W RATINGS: 3000A-4000A 200K AIC MAX

SCALE: 1:20

SIZE A

SHEET 1 OF 1

REV. 1