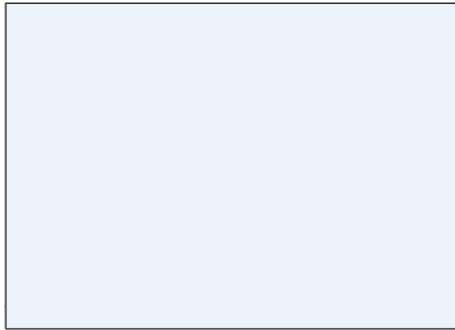


2

1

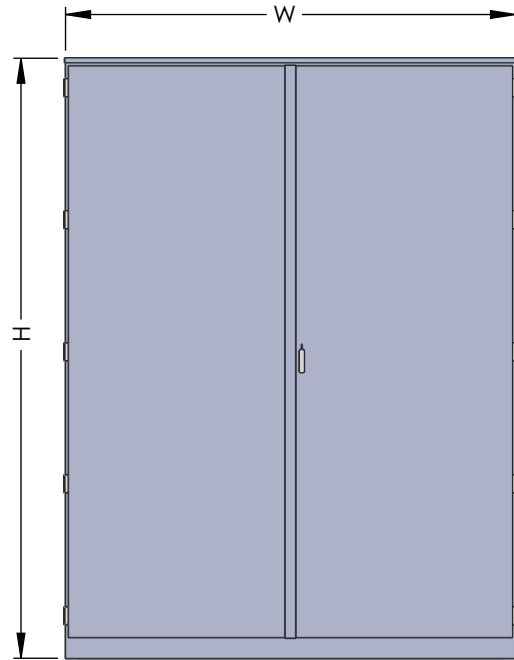
TOP VIEW



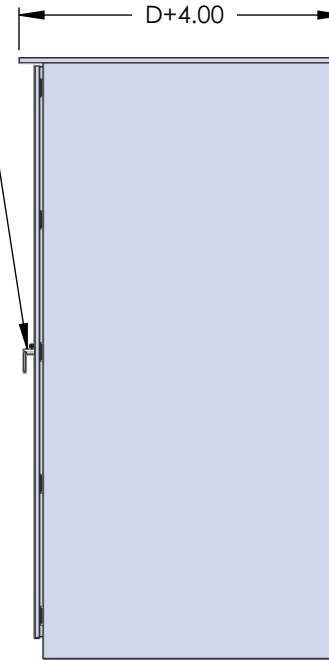
NOTES:

- 1. NEMA 3R CONSTRUCTION
- 2. FINISH: POWDER COAT GRAY ENAMEL

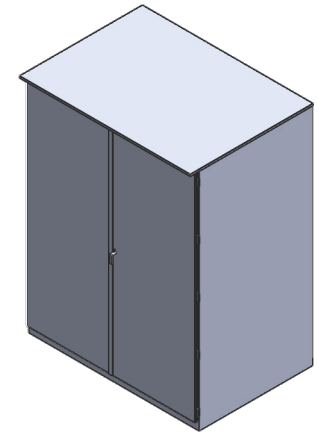
PADLOCKABLE FRENCH DOOR WITH 3PT CATCH



FRONT VIEW



SIDE VIEW

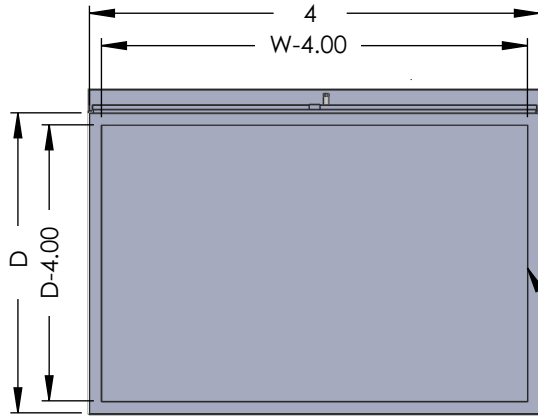


B

B

A

A



BOTTOM VIEW

OPEN BOTTOM WITH PADMOUNT WITH 2" FLANGE ALL AROUND

E160783 LISTED
Boxes, Junction & Pull
NAV-TECH INC.
 HAUPPAUGE, NEW YORK

NAME	DATE
DRAWN BY N. BOSETTI	3/21/2025
REVIEWED BY	

NAV-TECH
INCORPORATED

155 MARCUS BLVD HAUPPAUGE, NEW YORK 11788 PH: (718) 257-2111 FAX: (718) 257-2626

MAT'L:	12 GAUGE GALV STEEL
FINISH:	GRAY POWDER COAT ANSI 61
WEIGHT:	
ALL DIMENSIONS ARE NOMINAL UNLESS EXPLICITLY STATED OTHERWISE	

DRAWING TITLE:	NEMA 3R ENCLOSURE FOR SWB-T1
DESCRIPTION:	NEMA 3R OUTDOOR CABINET WITH FRENCH DOORS AND OPEN BOTTOM PADMOUNT
PART #:	ODHCBXHHWWDD-FDPM
DO NOT SCALE DRAWING	

SCALE:	1:50	SIZE	A	SHEET	1 OF 1	REV.	0
--------	------	------	---	-------	--------	------	---

2

1