

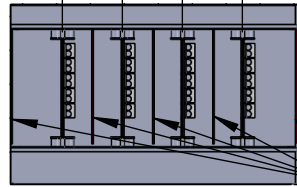
2

1

NOTES:

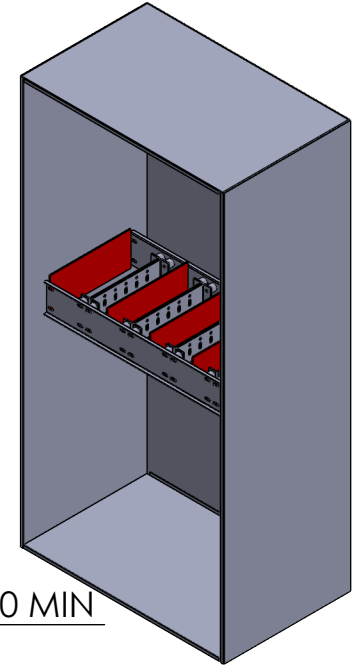
- 1. BOX AND COVER CONSTRUCTION- GALV STEEL(12GA)
FINISH: POWDER COAT GRAY ENAMEL
- 2. BUSBARS- COPPER 98% CONDUCTIVITY
- 3. BOX SHALL HAVE NAME PLATE WITH MANUFACTURER'S NAME
- 4. FRONT COVERS SHALL BE SEALABLE WITH (2) HANDLES
- 5. LINE SIDE: PROVISION FOR (10) 600 MCM
- 6. LOAD SIDE: STANDARD - MOUNT (10) 600 MCM, UP TO (16) 600 MCM
- 7. NEMA 3R CONSTRUCTION INCLUDES SEAM WELDED BODY, OUTSIDE MOUNTING TABS ON ALL FOUR CORNERS, GASKETED COVERS
- 8. SHORT CIRCUIT CURRENT RATING 100,000 SYM RMS AMPS

10.00 MIN BETWEEN PHASES
 9.00 MIN 9.00 MIN



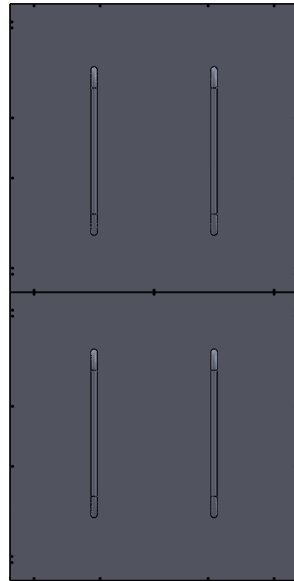
1/4" X 18" X 12" GP03 INSULATING BARRIERS

TOP SECTIONED

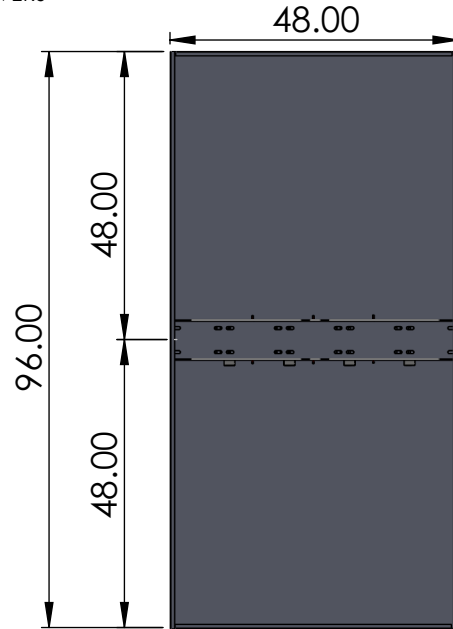


B

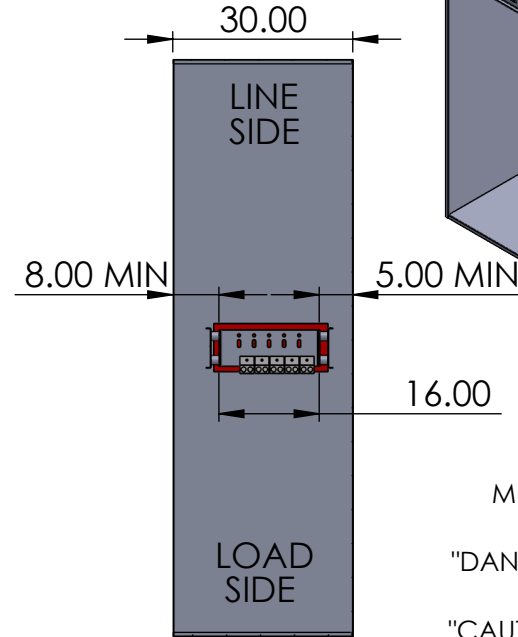
B



COVERED FRONT



OPEN FRONT



SIDE SECTIONED

MUST BE MARKED:
 "DANGER 277/480VOLTS"
 &
 "CAUTION 277/480 VOLTS"

A

A

	NAME	DATE
DRAWN BY	N.BOSETTI	1/31/2025
APPROVED BY		

PROPRIETARY AND CONFIDENTIAL
 THE INFORMATION CONTAINED IN THIS DRAWING IS THE SOLE PROPERTY OF NAV-TECH INC. ANY REPRODUCTION IN PART OR AS A WHOLE WITHOUT THE WRITTEN PERMISSION OF NAV-TECH INC. IS PROHIBITED.



155 MARCUS BLVD
 HAUPPAUGE, NEW YORK 11788
 PH: (718) 257-2111 FAX: (718) 257-2626

MAT'L: GALVANNEALED STEEL
 FINISH: POWDER COATED
 WEIGHT: N/A

DRAWING TITLE: 348211-96-N3R CUT SHEET

PART #: 348211-96-N3R

DESCRIPTION:
 NEMA 3R SERVICE ENTRANCE BOX UP TO 10 SETS LINE SIDE SPECIFIED TO CON ED DWG. NO 348211

DO NOT SCALE DRAWING	SCALE 1:35	SIZE A	SHEET 1 OF 1	REV. 7
-----------------------------	------------	--------	--------------	--------

2

1