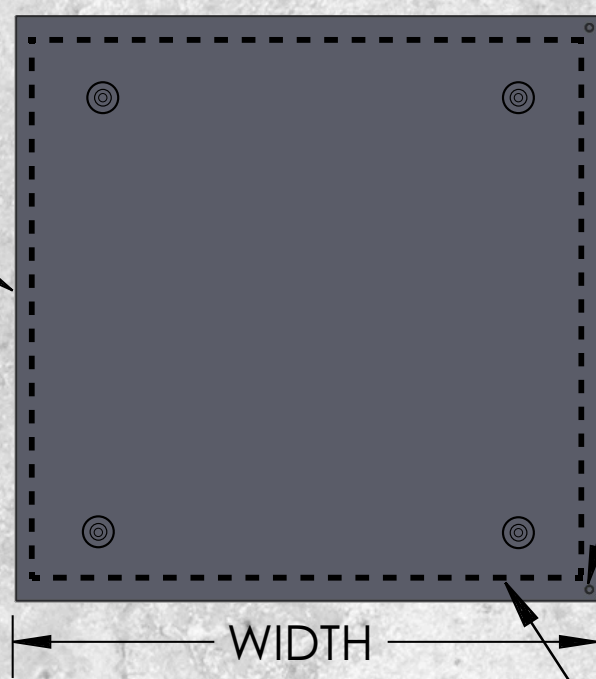


# Hinge Screw Cover Box Type 1 Indoor With Back Plate

## NOTES:

1. BOX AND COVER CONSTRUCTION - GALV SHEET STEEL
2. FINISH: POWDER COAT GRAY ENAMEL
3. STANDARD 0.75" LIP AROUND PERIMETER OF BOX OPENING.
4. STITCH WELD CONSTRUCTION WITH HINGED FLANGED SCREW COVER.

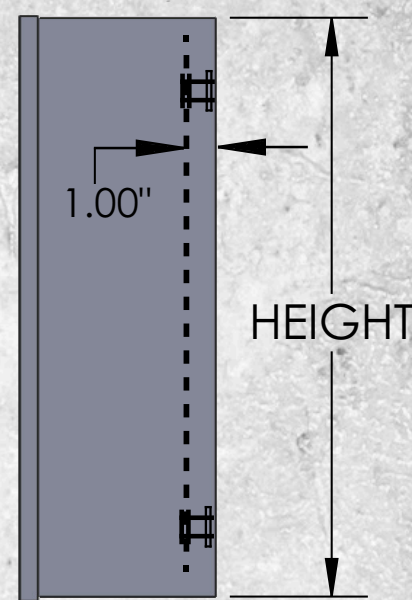
HINGE  
SIDE



WIDTH

FRONT VIEW

SCREW FASTENED  
COVER  
10-32 SCREWS



HEIGHT

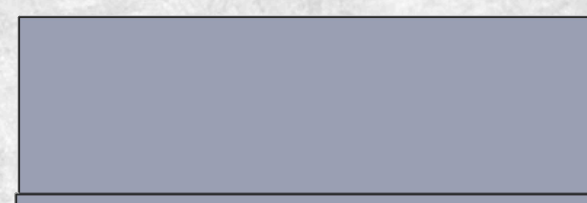
DEPTH

SIDE VIEW

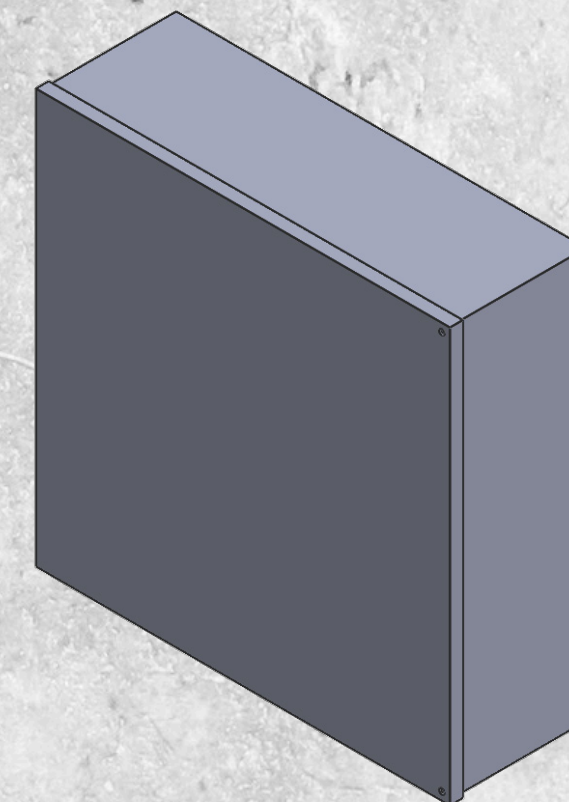
BACK PLATE  
H-2.00" X W-2.00"



BOTTOM VIEW



TOP VIEW



E160783



Boxes, Junction & Pull

NAV-TECH INC.

HAUPPAUGE, NEW YORK

## Features

- Enclosure and cover are produced with 16, 14, or 12 gauge steel in accordance with UL standards.
- Flanged steel door provided with a continuous steel piano hinge.
- Hinge cover boxes are fastened by default with screws. A flush coin-turn latch or keyed locks available by request.
- Available with or without knockouts. For no knockouts, refer to suffix -NK in catalog number.
- Available with or without paint. For no paint, refer to suffix -NP in catalog number. Unpainted enclosures are made to order.
- Grounding embossment standard in rear of box. Grounding screws sold separately.
- Holes are incorporated into the back of enclosure for mounting.
- ANSI 61 wrinkle gray polyester powder coating.
- Available Accessories: Flush coin-turn latch, keyed turn latch, ground screws, replacement cover screws.

## Application

- Designed for use as a junction box or pull box.
- For indoor use to provide protection against contact with enclosed equipment where moisture and dust are not a problem.

- NEMA Type 1
- UL 50 Type 1
- CUL Type 1 (equivalent to CSA)





# Hinge Screw Cover Box Type 1 Indoor With Back Plate

\*Stainless steel or aluminum available upon request  
\*Additional sizes available upon request  
\*Use suffix-BP for enclosures with back plate

Catalog Number	Dimensions H x W x D (Inches)	UPC Codes
RTT441	4x4x12	616983210383
RTT442	4x4x24	616983210390
RTT443	4x4x36	616983210406
RTT444	4x4x48	616983210413
RTT445	4x4x60	616983210321
RTT661	6x6x12	616983210338
RTT662	6x6x24	616983210345
RTT663	6x6x36	616983210352
RTT664	6x6x48	616983210369
RTT665	6x6x60	616983210376

- NEMA Type 1
- UL 50 Type 1
- CUL Type 1 (equivalent to CSA)

