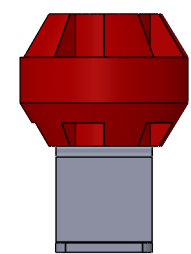
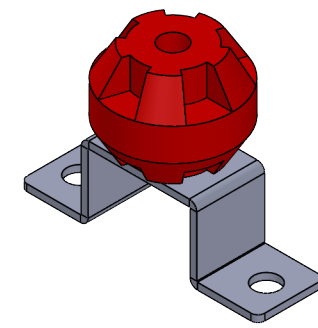
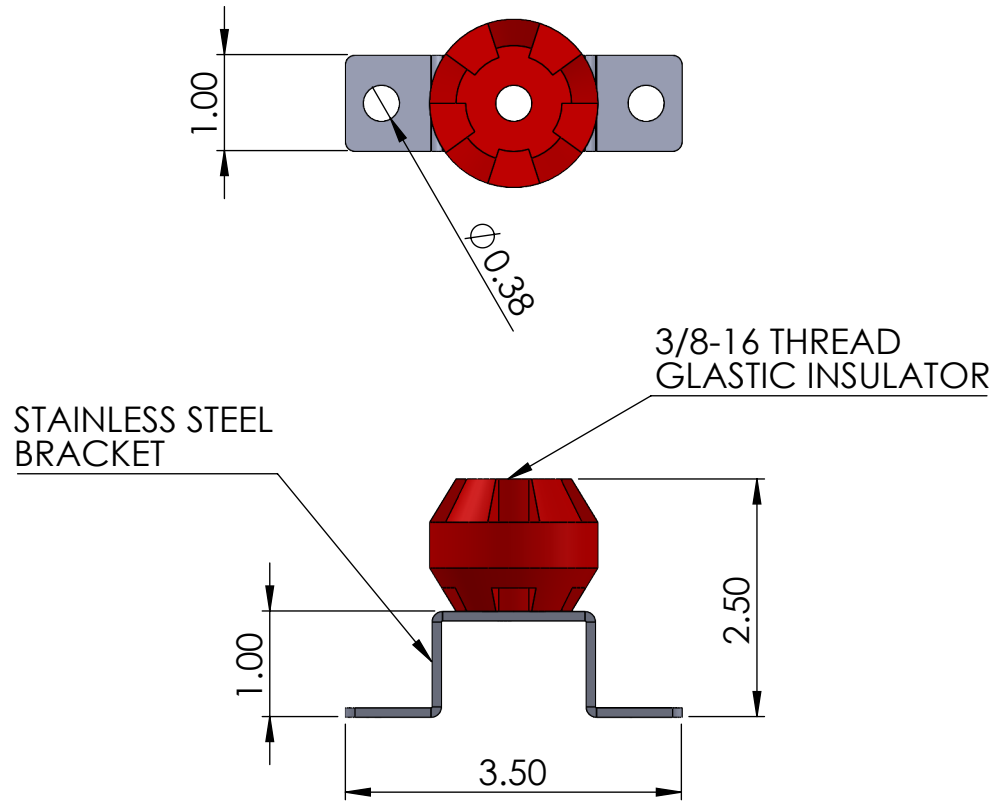


2

1

B

B



A

A

	NAME	DATE
DRAWN BY	N. BOSETTI	10/3/2024
APPROVED BY		

**PROPRIETARY AND CONFIDENTIAL**  
 THE INFORMATION CONTAINED IN THIS  
 DRAWING IS THE SOLE PROPERTY OF  
 Nav-Tech Inc. ANY REPRODUCTION IN  
 PART OR AS A WHOLE WITHOUT THE  
 WRITTEN PERMISSION OF Nav-Tech Inc.  
 IS PROHIBITED.



155 MARCUS BLVD  
 HAUPPAUGE, NEW YORK 11788  
 PH: (718) 257-2111 FAX: (718) 257-2626

MATL:  
 FINISH:  
 WEIGHT:

ALL DIMENSIONS  
 ARE NOMINAL  
 UNLESS EXPLICITLY  
 STATED OTHERWISE

DRAWING TITLE: GB2-STANDOFFKIT  
 PART #: GB2-STANDOFFKIT

DESCRIPTION: GROUND BAR STANDOFF KIT.  
 INCLUDES 1 PC METAL BRACKET &  
 1 PC 3/8" INSULATOR W/ HARDWARE

<b>DO NOT SCALE DRAWING</b>	SCALE: 1:2	SIZE	A	SHEET	1 OF 1	REV.	0
---------------------------------	------------	------	---	-------	--------	------	---

2

1