

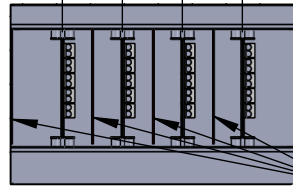
2

1

NOTES:

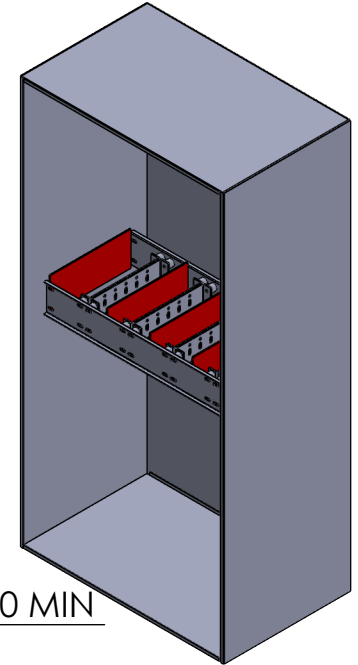
- 1. BOX AND COVER CONSTRUCTION- GALV STEEL(12GA)  
FINISH: POWDER COAT GRAY ENAMEL
- 2. BUSBARS- COPPER 98% CONDUCTIVITY
- 3. BOX SHALL HAVE NAME PLATE WITH MANUFACTURER'S NAME
- 4. FRONT COVERS SHALL BE SEALABLE WITH (2) HANDLES
- 5. LINE SIDE: PROVISION FOR (10) 600 MCM
- 6. LOAD SIDE: STANDARD - MOUNT (10) 600 MCM, UP TO (16) 600 MCM
- 7. NEMA 1 CONSTRUCTION: STITCH WELDED ENCLOSURE
- 8. SHORT CIRCUIT CURRENT RATING 100,000 SYM RMS AMPS

10.00 MIN BETWEEN PHASES  
 9.00 MIN 9.00 MIN



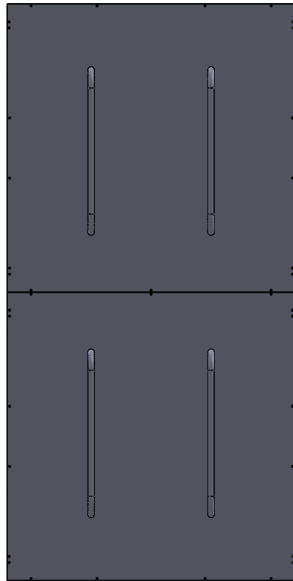
1/4" X 18" X 12" GP03  
INSULATING BARRIERS

TOP SECTIONED

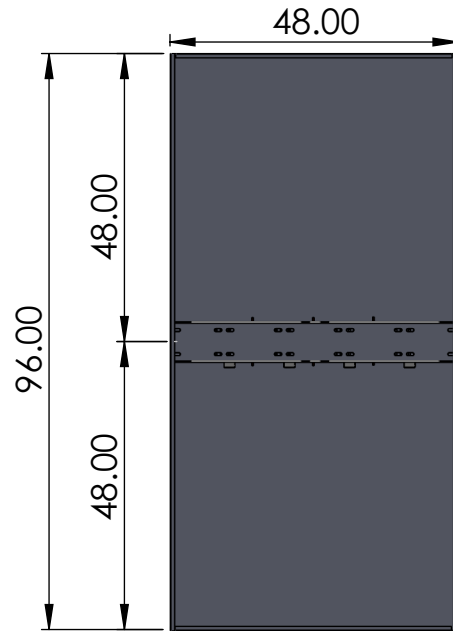


B

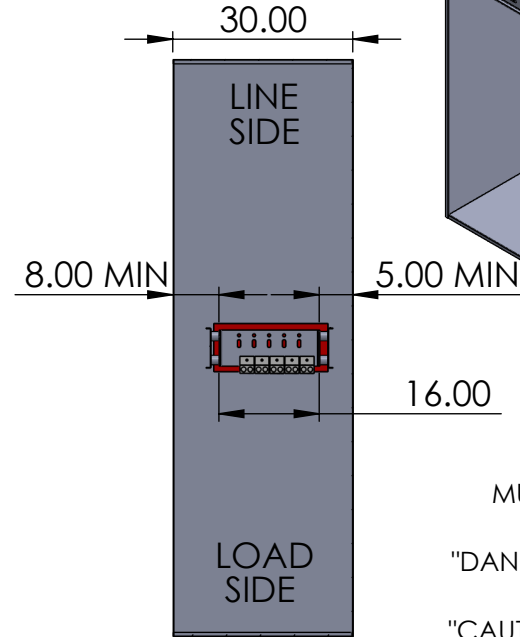
B



COVERED FRONT



OPEN FRONT



SIDE SECTIONED

MUST BE MARKED:  
 "DANGER 277/480VOLTS"  
 &  
 "CAUTION 277/480 VOLTS"

A

A

	NAME	DATE
DRAWN BY	N.BOSETTI	1/31/2025
APPROVED BY		

**PROPRIETARY AND CONFIDENTIAL**  
 THE INFORMATION CONTAINED IN THIS  
 DRAWING IS THE SOLE PROPERTY OF  
 NAV-TECH INC. ANY REPRODUCTION IN  
 PART OR AS A WHOLE WITHOUT THE  
 WRITTEN PERMISSION OF NAV-TECH INC.  
 IS PROHIBITED.



155 MARCUS BLVD  
 HAUPPAUGE, NEW YORK 11788  
 PH: (718) 257-2111 FAX: (718) 257-2626

MAT'L: GALVANNEALED STEEL  
 FINISH: POWDER COATED  
 WEIGHT: N/A

DRAWING TITLE: 348211-96-N1 CUT SHEET

PART #: 348211-96-N1

DESCRIPTION:  
 NEMA 1 SERVICE ENTRANCE BOX UP TO 10 SETS LINE SIDE  
 SPECIFIED TO CON ED DWG. NO 348211

<b>DO NOT SCALE DRAWING</b>	SCALE 1:35	SIZE A	SHEET 1 OF 1	REV. 7
---------------------------------	------------	--------	--------------	--------

2

1