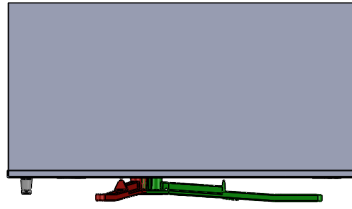


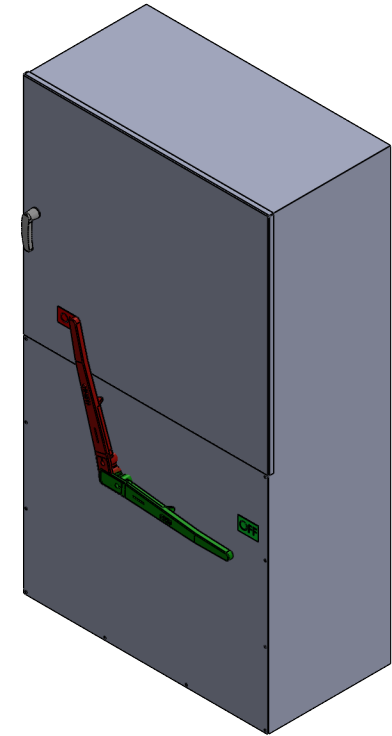
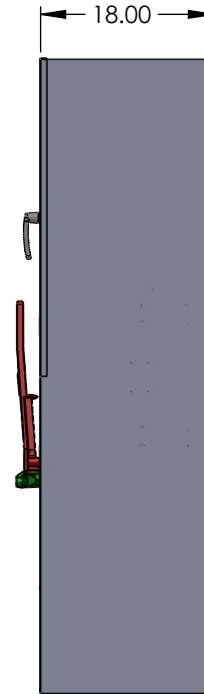
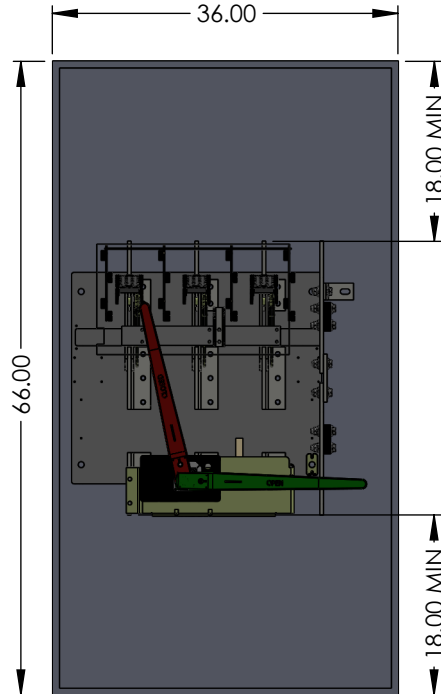
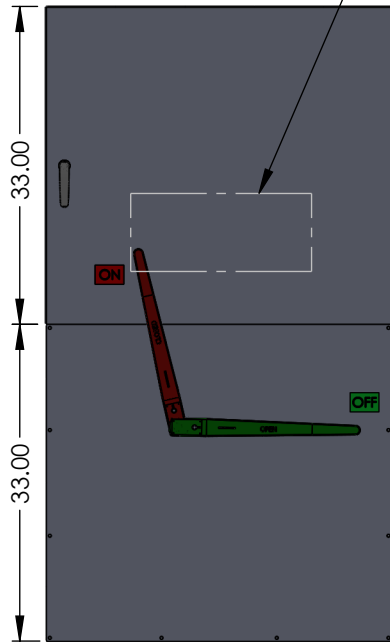
TOP VIEW



NOTES:

1. BOX AND COVER CONSTRUCTION - GALV SHEET STEEL (12GA).
2. FINISH: POWDERCOAT GRAY ENAMEL.
3. BUS BARS- COPPER 98% CONDUCTIVITY.
4. TERMINALS INCLUDED - SEE CHART FOR # OF SETS.
5. TOP HINGED COVER WRAPS AROUND EDGES ON 3 SIDES, HINGE ON RIGHT SIDE IS STANDARD, BOTTOM COVER IS A FLAT SCREW COVER.
6. NO VENTING UNLESS SPECIFICALLY REQUESTED.
7. LOCKABLE IN "OFF" POSITION STANDARD - LOCKABLE IN "ON" AVAILABLE BY REQUEST.
8. ISOLATED NEUTRAL BUS WITH REMOVABLE LINK IN CENTER AVAILABLE BY REQUEST.
9. PADMOUNT AVAILABLE BY REQUEST.

OPTIONAL VIEWING WINDOW (NON STANDARD)



PART #	AMPS	MAX VOLTS	FEED	SWITCH	LUGS
1200BPS-T	1200A	600V	TOP	VL468N	3 SETS 600MCM
1200BPS-B	1200A	600V	BOTTOM	VLB468N	3 SETS 600MCM
1600BPS-T	1600A	600V	TOP	VL469N	4 SETS 600MCM
1600BPS-B	1600A	600V	BOTTOM	VLB469N	4 SETS 600MCM
2000BPS-T	2000A	600V	TOP	VL4610N	5 SETS 600MCM
2000BPS-B	2000A	600V	BOTTOM	VLB4610N	5 SETS 600MCM
2500BPS-T	2500A	600V	TOP	VL4611N	6 SETS 600MCM
2500BPS-B	2500A	480V	BOTTOM	VLB4611N	6 SETS 600MCM

FRONT COVERED VIEW

FRONT OPENED VIEW

SIDE VIEW

B

B

A

A

PROPRIETARY AND CONFIDENTIAL
 THE INFORMATION CONTAINED IN THIS DRAWING IS THE SOLE PROPERTY OF NAV-TECH INC. ANY REPRODUCTION IN PART OR AS A WHOLE WITHOUT THE WRITTEN PERMISSION OF NAV-TECH INC. IS PROHIBITED.

NAV-TECH
INCORPORATED

155 MARCUS BLVD
 HAUPPAUGE, NEW YORK 11788
 PH: (718) 257-2111 FAX: (718) 257-2626

MAT'L: 12 GAUGE GALV STEEL
 FINISH: GRAY POWDER COAT ANSI 61
 WEIGHT:
 ALL DIMENSIONS ARE NOMINAL UNLESS EXPLICITLY STATED OTHERWISE

DRAWING TITLE: 1200A-2500A ENCLOSED BPS
 PART #: XXXXBPS-X
DO NOT SCALE DRAWING

DESCRIPTION: NEMA 1 ENCLOSED BOLTED PRESSURE SWITCH 3P/4W RATINGS: 1200A-2500A 200K AIC MAX

SCALE: 1:20 SIZE A SHEET 1 OF 1 REV. 1