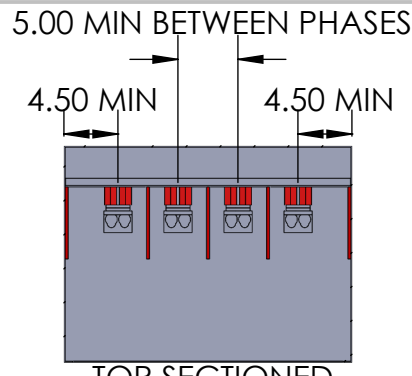
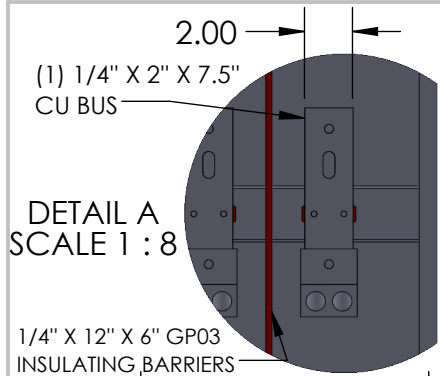


2

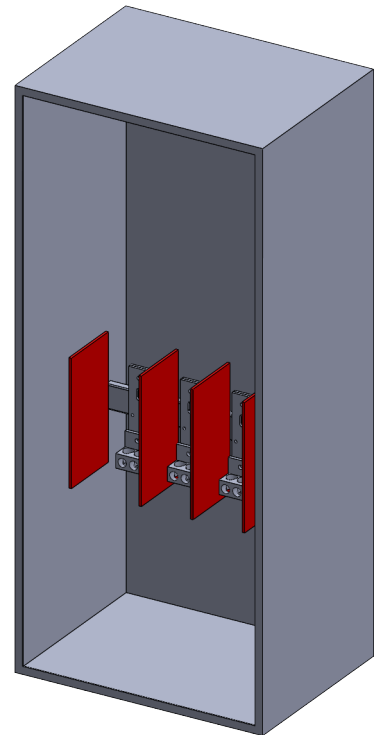
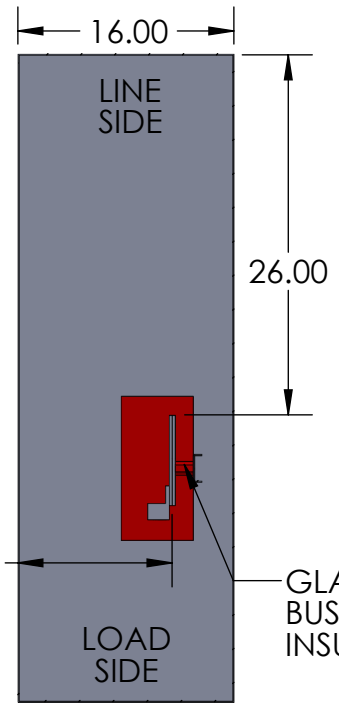
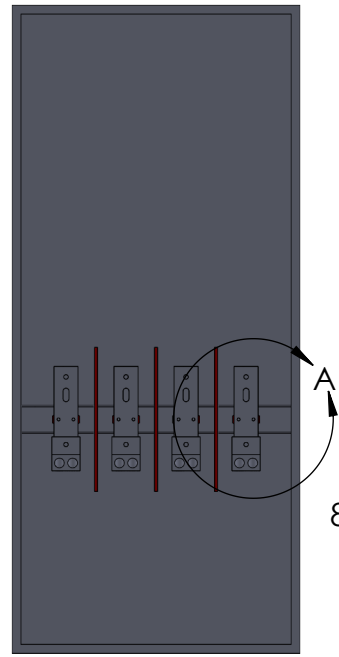
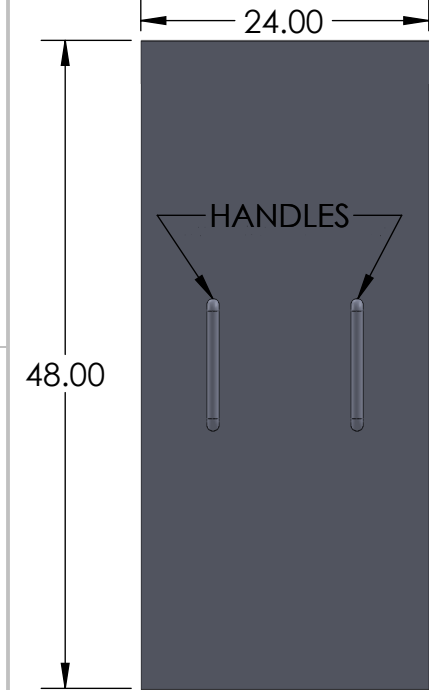
1



- NOTES:
1. BOX AND COVER CONSTRUCTION - GALV STEEL (12GA) FINISH: POWDER COAT GRAY ENAMEL
 2. BUS BARS - COPPER 98% CONDUCTIVITY
 3. BOX SHALL HAVE NAMEPLATE WITH MANUFACTURER'S NAME
 4. FRONT COVER SHALL BE SEALABLE WITH (2) HANDLES
 5. LINE SIDE: PROVISION FOR (1) 600 MCM
 6. LOAD SIDE : MOUNT UP TO (2) 600 MCM
 7. NEMA 3R CONSTRUCTION INCLUDES SEAM WELDED BODY, OUTSIDE MOUNTING TABS ON ALL FOUR CORNERS, GASKETED COVERS
 8. "120/208V" BLACK LABEL WITH WHITE LETTERING LOCATION ON INSIDE AND OUTSIDE OF THE ENCLOSURE

B

B



A

A

			MATL: 12 GA GALV	DRAWING TITLE: EO-48-N3R CUT SHEET
155 MARCUS BLVD HAUPPAUGE, NEW YORK 11788 PH: (718) 257-2111 FAX: (718) 257-2626			FINISH: POWDER COAT GREY	PART #: NAV-EO-48-9525B-N3R
UNLESS OTHERWISE SPECIFIED: TOLERANCE: FRACTIONAL ±1/64 ANGULAR: MACH ± 30° BEND ± 1° 0.00" = ± 0.01" 0.000" = ± 0.005" DIMENSIONS IN INCHES [SECONDARY IN MM]			WEIGHT:	DESCRIPTION: NEMA 3R SERVICE BOX UP TO 1 SET LINE SIDE SPECIFIED TO CON ED EO-9525-B
PROPRIETARY AND CONFIDENTIAL THE INFORMATION CONTAINED IN THIS DRAWING IS THE SOLE PROPERTY OF Nav-Tech Inc. ANY REPRODUCTION IN PART OR AS A WHOLE WITHOUT THE WRITTEN PERMISSION OF Nav-Tech Inc. IS PROHIBITED.			1. REMOVE ALL BURRS AND BREAK ALL SHARP EDGES .015 X 45° OR .015R 2. DIMENSIONAL LIMITS APPLY AFTER PLATING 3. MACHINED SURFACES EXCEPT AS NOTED	
DRAWN BY	NAME	DATE		DO NOT SCALE DRAWING SCALE: 1:16 SIZE A SHEET 1 OF 1 REV. 6
APPROVED BY				

2

1