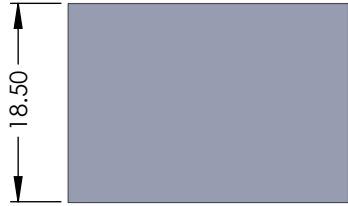


2

1

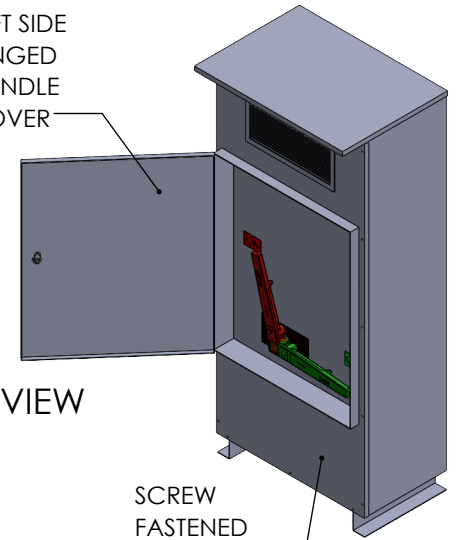
TOP VIEW



NOTES:

- 1. NEMA 3R CONSTRUCTION WITH SHED ROOF - GALV SHEET STEEL (12GA).
- 2. FINISH: POWDERCOAT GRAY ENAMEL.
- 3. BUS BARS- COPPER 98% CONDUCTIVITY.
- 4. TERMINALS INCLUDED - SEE CHART FOR # OF SETS.
- 5. LOCKABLE IN "OFF" POSITION STANDARD - LOCKABLE IN "ON" AVAILABLE BY REQUEST.
- 6. ISOLATED NEUTRAL BUS WITH REMOVABLE LINK IN CENTER AVAILABLE BY REQUEST.
- 7. PADMOUNT AVAILABLE IS STANDARD - MOUNTING TABS AVAILABLE BY REQUEST.

LEFT SIDE HINGED HANDLE COVER

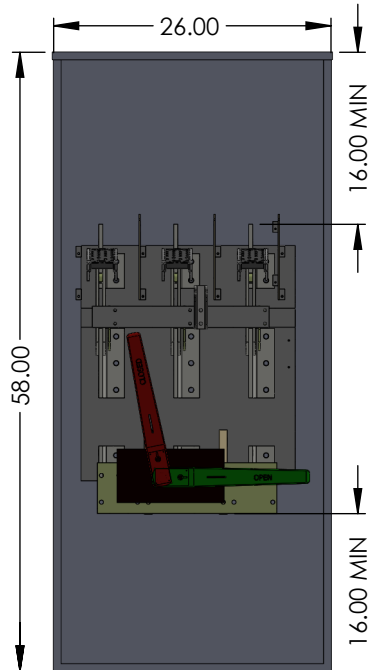


B

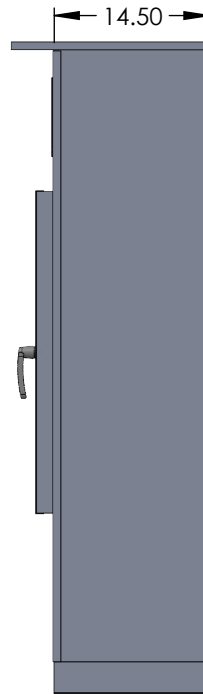
B



FRONT COVERED VIEW

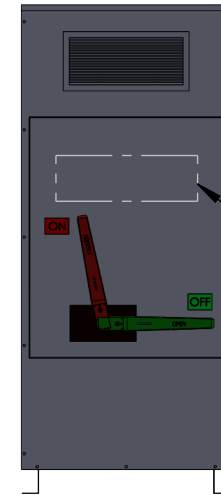


FRONT OPENED VIEW



SIDE VIEW

OPENED DOOR VIEW



SCREW FASTENED MAIN COVER

OPTIONAL VIEWING WINDOW (NON STANDARD)

PART #	AMPS	MAX VOLTS	FEED	SWITCH	LUGS
400BPS-T-N3R	400A	600V	TOP	J365WOL	1 SET 600MCM
400BPS-B-N3R	400A	600V	BOTTOM	JB365WOL	1 SET 600MCM
600BPS-T-N3R	600A	600V	TOP	J366WOL	2 SETS 600MCM
600BPS-B-N3R	600A	600V	BOTTOM	JB366WOL	2 SETS 600MCM
800BPS-T-N3R	800A	600V	TOP	L367-A	2 SETS 600MCM
800BPS-B-N3R	800A	600V	BOTTOM	LB367-A	2 SETS 600MCM

A

A

NAME	DATE
N. BOSETTI	2/11/2025
DRAWN BY	
REVIEWED BY	

NAV-TECH
INCORPORATED

155 MARCUS BLVD
HAUPPAUGE, NEW YORK 11788
PH: (718) 257-2111 FAX: (718) 257-2626

MAT'L:	12 GAUGE GALV STEEL
FINISH:	GRAY POWDER COAT ANSI 61
WEIGHT:	ALL DIMENSIONS ARE NOMINAL UNLESS EXPLICITLY STATED OTHERWISE

DRAWING TITLE:	400A-800A N3R ENCLOSED BPS
PART #:	XXXBPS-X-N3R
DO NOT SCALE DRAWING	

DESCRIPTION:			
NEMA 3R ENCLOSED BOLTED PRESSURE SWITCH 3P/3W RATINGS: 400A-800A 200K AIC MAX			
SCALE:	1:20	SIZE	A
SHEET	1 OF 1	REV.	1

PROPRIETARY AND CONFIDENTIAL
THE INFORMATION CONTAINED IN THIS DRAWING IS THE SOLE PROPERTY OF NAV-TECH INC. ANY REPRODUCTION IN PART OR AS A WHOLE WITHOUT THE WRITTEN PERMISSION OF NAV-TECH INC. IS PROHIBITED.

2

1