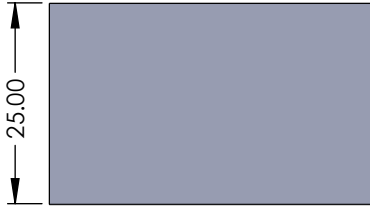


2

1

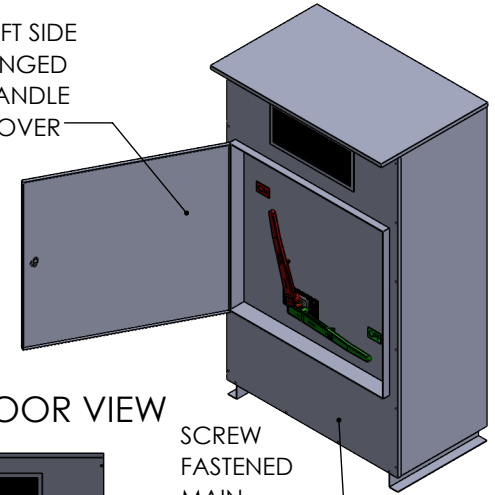
TOP VIEW



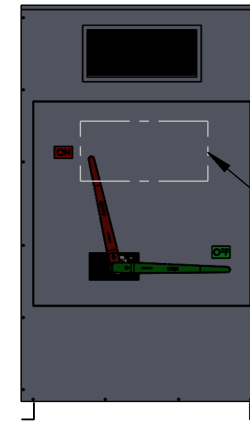
NOTES:

1. NEMA 3R CONSTRUCTION WITH SHED ROOF - GALV SHEET STEEL (12GA).
2. FINISH: POWDERCOAT GRAY ENAMEL.
3. BUS BARS- COPPER 98% CONDUCTIVITY.
4. TERMINALS INCLUDED - SEE CHART FOR # OF SETS.
5. LOCKABLE IN "OFF" POSITION STANDARD - LOCKABLE IN "ON" AVAILABLE BY REQUEST.
6. ISOLATED NEUTRAL BUS WITH REMOVABLE LINK IN CENTER AVAILABLE BY REQUEST.
7. PADMOUNT AVAILABLE IS STANDARD - MOUNTING TABS AVAILABLE BY REQUEST.

LEFT SIDE
HINGED
HANDLE
COVER



OPENED DOOR VIEW

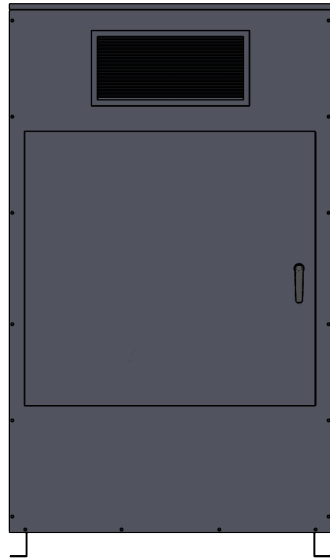


SCREW
FASTENED
MAIN
COVER

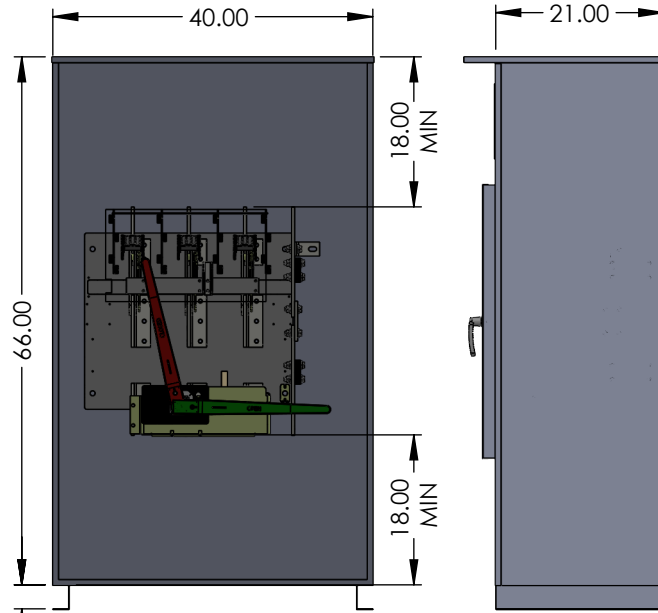
OPTIONAL VIEWING
WINDOW
(NON STANDARD)

B

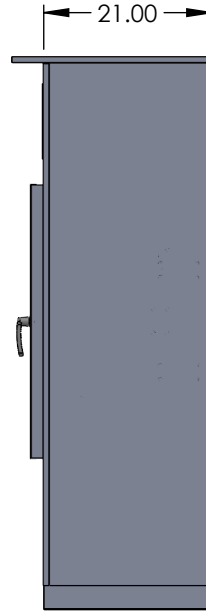
B



FRONT
COVERED
VIEW



FRONT
OPENED
VIEW



SIDE
VIEW

A

A

PART #	AMPS	MAX VOLTS	FEED	SWITCH	LUGS
1200BPS-T-N3R	1200A	600V	TOP	VL468N	3 SETS 600MCM
1200BPS-B-N3R	1200A	600V	BOTTOM	VLB468N	3 SETS 600MCM
1600BPS-T-N3R	1600A	600V	TOP	VL469N	4 SETS 600MCM
1600BPS-B-N3R	1600A	600V	BOTTOM	VLB469N	4 SETS 600MCM
2000BPS-T-N3R	2000A	600V	TOP	VL4610N	5 SETS 600MCM
2000BPS-B-N3R	2000A	600V	BOTTOM	VLB4610N	5 SETS 600MCM
2500BPS-T-N3R	2500A	600V	TOP	VL4611N	6 SETS 600MCM
2500BPS-B-N3R	2500A	480V	BOTTOM	VLB4611N	6 SETS 600MCM

DRAWN BY	NAME	DATE
REVIEWED BY	N. BOSETTI	2/11/2025

NAV-TECH
INCORPORATED

155 MARCUS BLVD
HAUPPAUGE, NEW YORK 11788
PH: (718) 257-2111 FAX: (718) 257-2626

MAT'L:	12 GAUGE GALV STEEL
FINISH:	GRAY POWDER COAT ANSI 61
WEIGHT:	ALL DIMENSIONS ARE NOMINAL UNLESS EXPLICITLY STATED OTHERWISE

DRAWING TITLE:	1200A-2500A N3R ENCLOSED BPS
PART #:	XXXXBPS-X-N3R
DO NOT SCALE DRAWING	

DESCRIPTION:							
NEMA 3R ENCLOSED BOLTED PRESSURE SWITCH 3P/4W RATINGS: 1200A-2500A 200K AIC MAX							
SCALE:	1:20	SIZE	A	SHEET	1 OF 1	REV.	1

2

1