

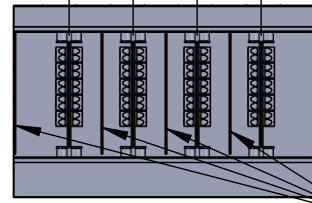
2

1

NOTES:

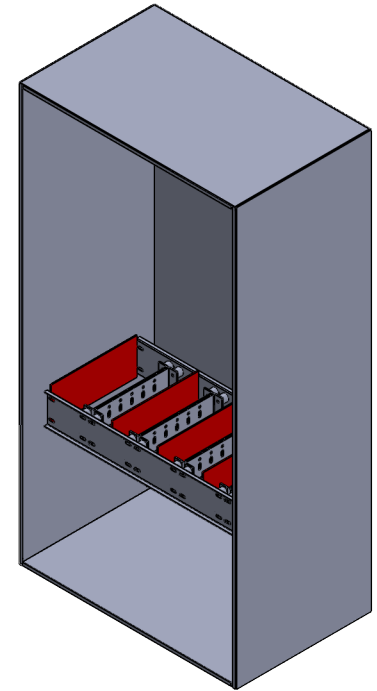
- 1. BOX AND COVER CONSTRUCTION- GALV STEEL(12GA) FINISH: POWDER COAT GRAY ENAMEL
- 2. BUSBARS- COPPER 98% CONDUCTIVITY
- 3. BOX SHALL HAVE NAME PLATE WITH MANUFACTURER'S NAME
- 4. FRONT COVERS SHALL BE SEALABLE WITH (2) HANDLES
- 5. LINE SIDE: PROVISION FOR (10) 600 MCM
- 6. LOAD SIDE: MOUNT UP TO (14) 600 MCM
- 7. NEMA 3R CONSTRUCTION INCLUDES SEAM WELDED BODY, OUTSIDE MOUNTING TABS ON ALL FOUR CORNERS, GASKETED COVERS
- 8. "120/208v" BLACK LABEL WITH WHITE LETTERING LOCATION ON INSIDE AND OUTSIDE OF THE ENCLOSURE
- 9. SHORT CIRCUIT CURRENT RATING 200,000 SYM RMS AMPS

8.00 MIN BETWEEN PHASES
 8.00 MIN 8.00 MIN



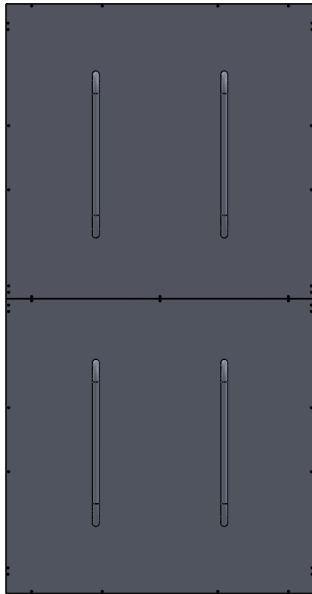
1/4" X 18" X 12" GP03 INSULATING BARRIERS

TOP SECTIONED

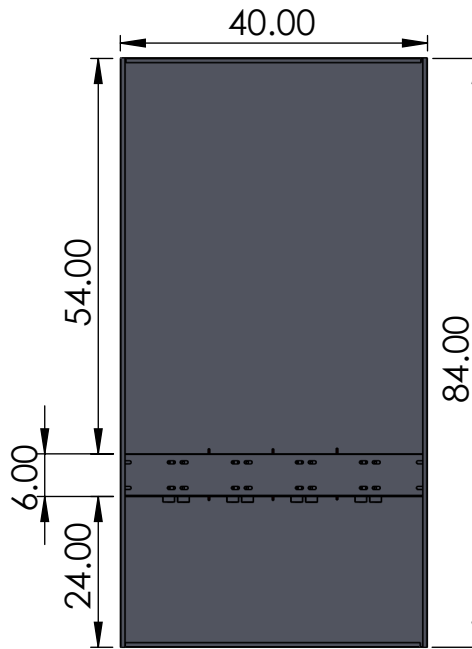


B

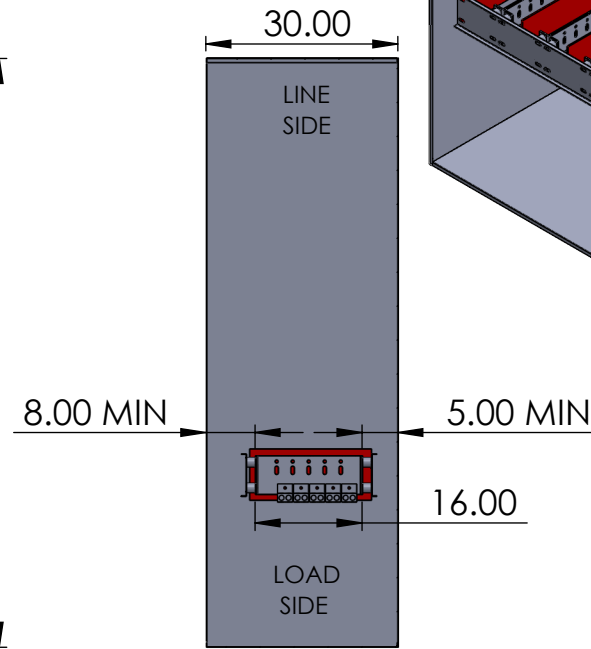
B



COVERED FRONT



OPEN FRONT



SIDE SECTIONED

A

A

	NAME	DATE
DRAWN BY	N. BOSETTI	11/14/2024
APPROVED BY		

PROPRIETARY AND CONFIDENTIAL
 THE INFORMATION CONTAINED IN THIS DRAWING IS THE SOLE PROPERTY OF NAV-TECH INC. ANY REPRODUCTION IN PART OR AS A WHOLE WITHOUT THE WRITTEN PERMISSION OF NAV-TECH INC. IS PROHIBITED.



155 MARCUS BLVD
 HAUPPAUGE, NEW YORK 11788
 PH: (718) 257-2111 FAX: (718) 257-2626

MAT'L: GALVANNEALED STEEL
 FINISH: POWDER COATED
 WEIGHT: 600 LBS

ALL DIMENSIONS ARE NOMINAL UNLESS SPECIFICALLY NOTED OTHERWISE

DRAWING TITLE: EO-84-N3R CUT SHEET
 PART #: NAV-EO-84-9073B-N3R

DESCRIPTION:
 NEMA 3R SERVICE ENTRANCE BOX UP TO 10 SETS LINE SIDE SPECIFIED TO CON ED EO-9073-B

DO NOT SCALE DRAWING	SCALE 1:35	SIZE A	SHEET 1 OF 1	REV. 6
-----------------------------	------------	--------	--------------	--------

2

1