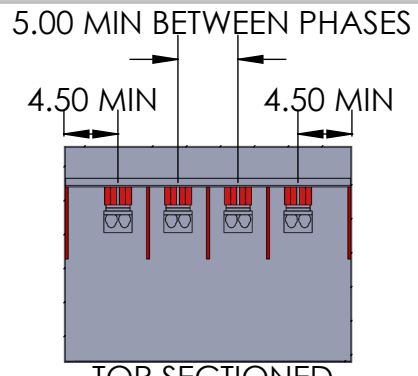
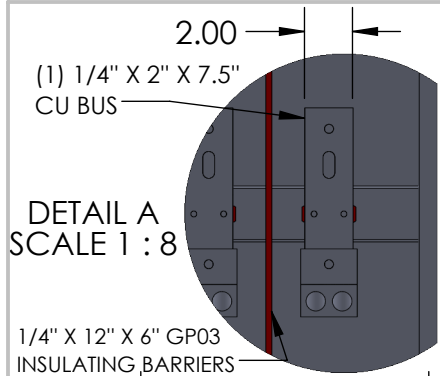


2

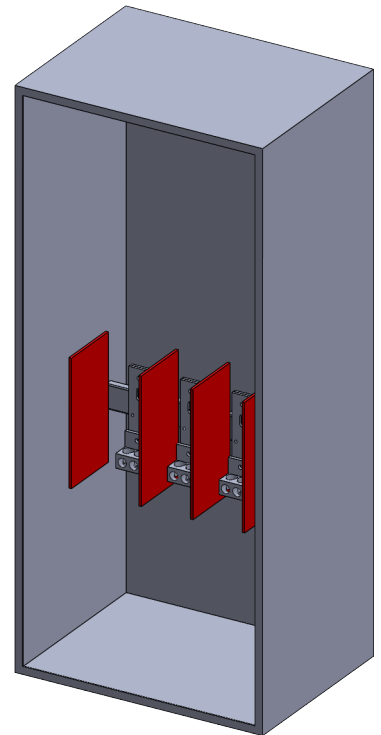
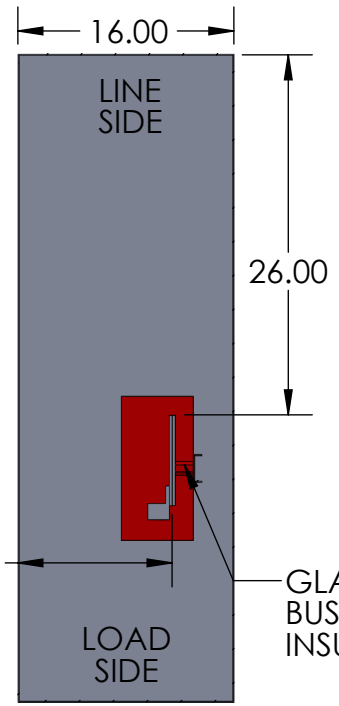
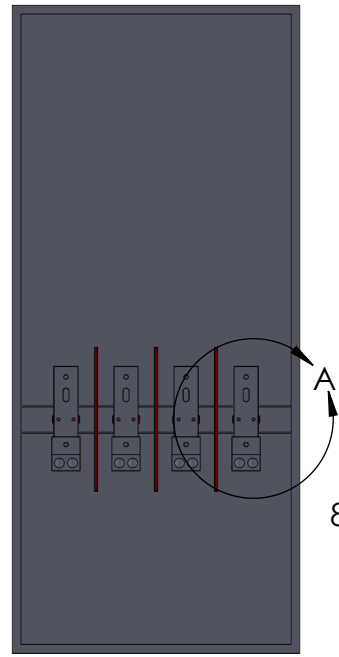
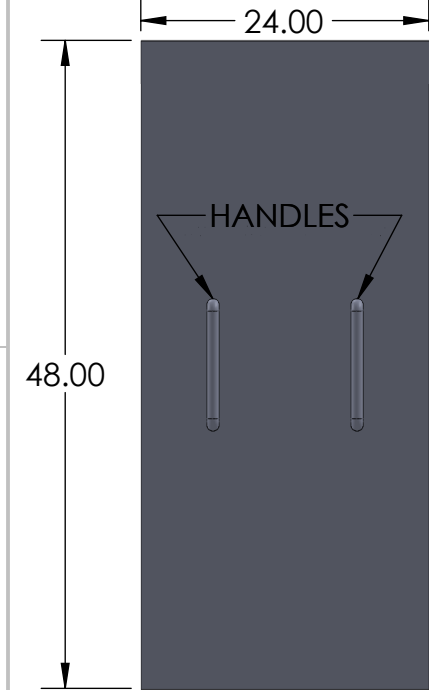
1



- NOTES: 1. BOX AND COVER CONSTRUCTION - GALV STEEL (12GA) FINISH: POWDER COAT GRAY ENAMEL
2. BUS BARS - COPPER 98% CONDUCTIVITY
3. BOX SHALL HAVE NAMEPLATE WITH MANUFACTURER'S NAME
4. FRONT COVER SHALL BE SEALABLE WITH (2) HANDLES
5. LINE SIDE: PROVISION FOR (1) 600 MCM
6. LOAD SIDE : MOUNT UP TO (2) 600 MCM
7. NEMA 1 CONSTRUCTION: STITCH WELDED ENCLOSURE
8. "120/208v" BLACK LABEL WITH WHITE LETTERING LOCATION ON INSIDE AND OUTSIDE OF THE ENCLOSURE

B

B



A

A

	NAME	DATE
DRAWN BY	N. BOSETTI	11/14/2024
APPROVED BY		

PROPRIETARY AND CONFIDENTIAL
THE INFORMATION CONTAINED IN THIS DRAWING IS THE SOLE PROPERTY OF Nav-Tech Inc. ANY REPRODUCTION IN PART OR AS A WHOLE WITHOUT THE WRITTEN PERMISSION OF Nav-Tech Inc. IS PROHIBITED.



155 MARCUS BLVD
HAUPPAUGE, NEW YORK 11788
PH: (718) 257-2111 FAX: (718) 257-2626

UNLESS OTHERWISE SPECIFIED:
TOLERANCE:
FRACTIONAL ±1/64 ANGULAR: MACH ± 30"
BEND ± 1°
0.00" = ± 0.01"
0.000" = ± 0.005"
DIMENSIONS IN INCHES [SECONDARY IN MM]

MATL:	12 GA GALV
FINISH:	POWDER COAT GREY
WEIGHT:	
UNLESS OTHERWISE SPECIFIED	
1. REMOVE ALL BURRS AND BREAK ALL SHARP EDGES .015 X 45° OR .015R	
2. DIMENSIONAL LIMITS APPLY AFTER PLATING	
3. 125/	MACHINED SURFACES EXCEPT AS NOTED

DRAWING TITLE:	EO-48-N1 CUT SHEET			
PART #:	NAV-EO-48-9525B			
DESCRIPTION:	NEMA 1 SERVICE BOX UP TO 1 SET LINE SIDE SPECIFIED TO CON ED EO-9525-B			
DO NOT SCALE DRAWING	SCALE: 1:16	SIZE	A	SHEET
			1 OF 1	REV. 6

2

1