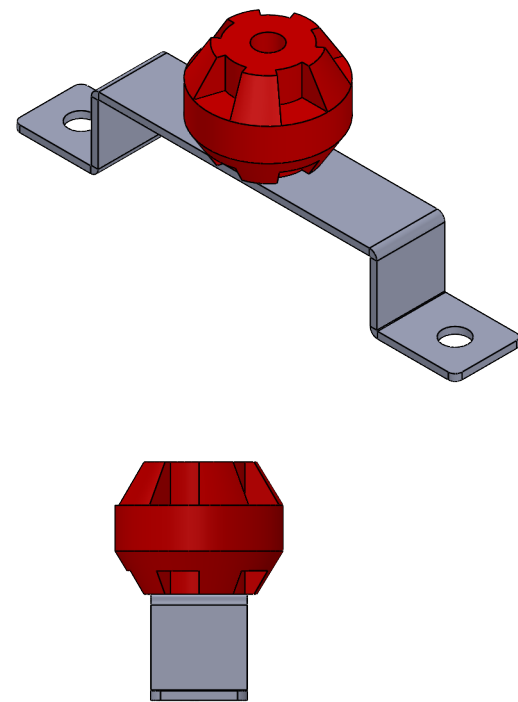
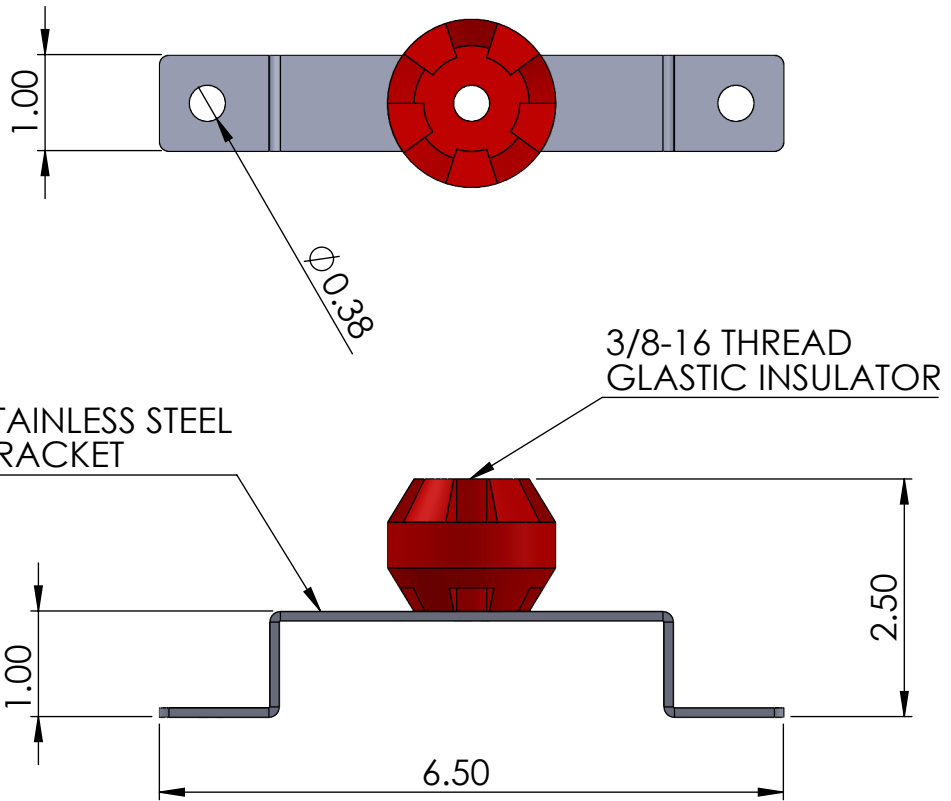


2

1

B

B



A

A

<table border="1"> <thead> <tr> <th>DRAWN BY</th> <th>NAME</th> <th>DATE</th> </tr> </thead> <tbody> <tr> <td>N. BOSETTI</td> <td>N. BOSETTI</td> <td>9/27/2024</td> </tr> <tr> <td colspan="3">APPROVED BY</td> </tr> </tbody> </table>			DRAWN BY	NAME	DATE	N. BOSETTI	N. BOSETTI	9/27/2024	APPROVED BY				MATL:	DRAWING TITLE: GB4-STANDOFFKIT
			DRAWN BY	NAME	DATE									
N. BOSETTI	N. BOSETTI	9/27/2024												
APPROVED BY														
FINISH:	PART #: GB4-STANDOFFKIT													
<p>PROPRIETARY AND CONFIDENTIAL THE INFORMATION CONTAINED IN THIS DRAWING IS THE SOLE PROPERTY OF Nav-Tech Inc. ANY REPRODUCTION IN PART OR AS A WHOLE WITHOUT THE WRITTEN PERMISSION OF Nav-Tech Inc. IS PROHIBITED.</p>			<p>155 MARCUS BLVD HAUPPAUGE, NEW YORK 11788 PH: (718) 257-2111 FAX: (718) 257-2626</p>	WEIGHT:	<p>DESCRIPTION: GROUND BAR STANDOFF KIT. INCLUDES 1 PC METAL BRACKET & 1 PC 3/8" INSULATOR W/ HARDWARE</p>									
				<p>ALL DIMENSIONS ARE NOMINAL UNLESS EXPLICITLY STATED OTHERWISE</p>		<p>DO NOT SCALE DRAWING</p>								
				SCALE: 1:2	SIZE A	SHEET 1 OF 1	REV. 0							

2

1