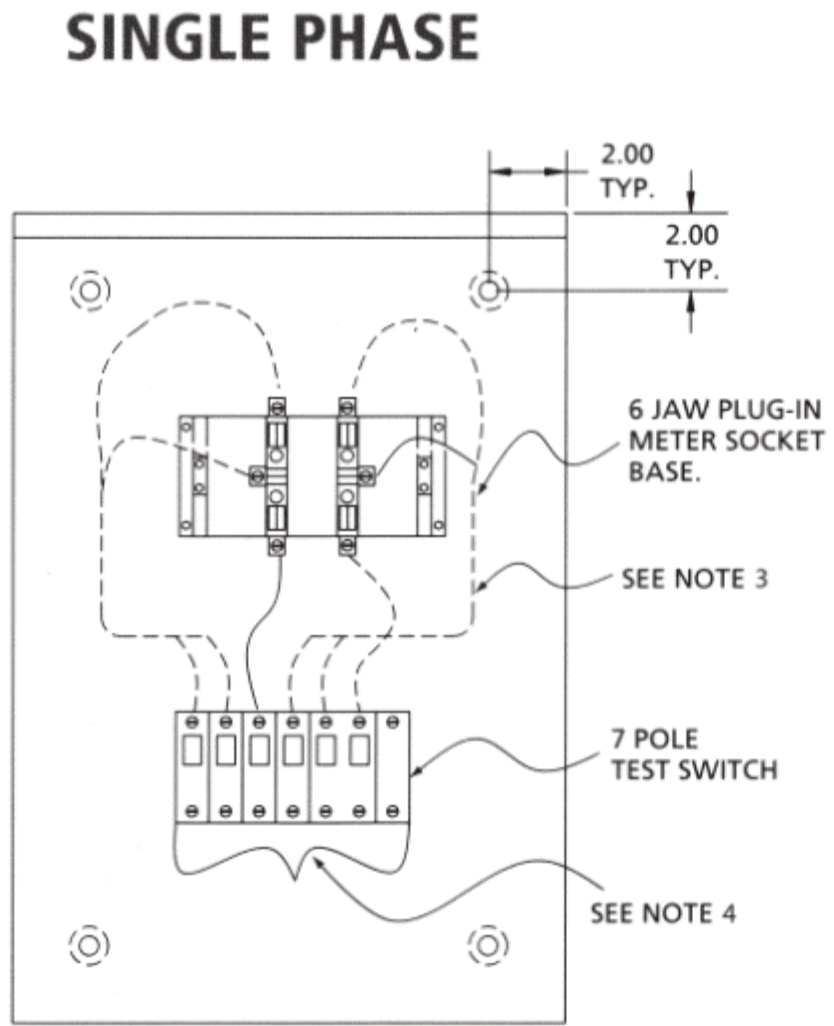
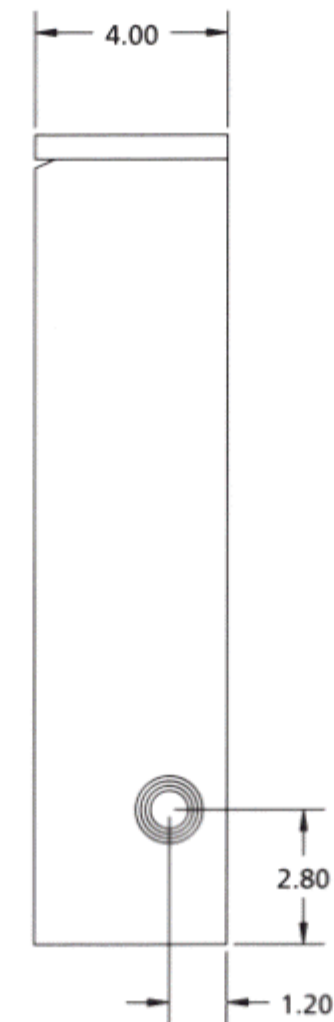


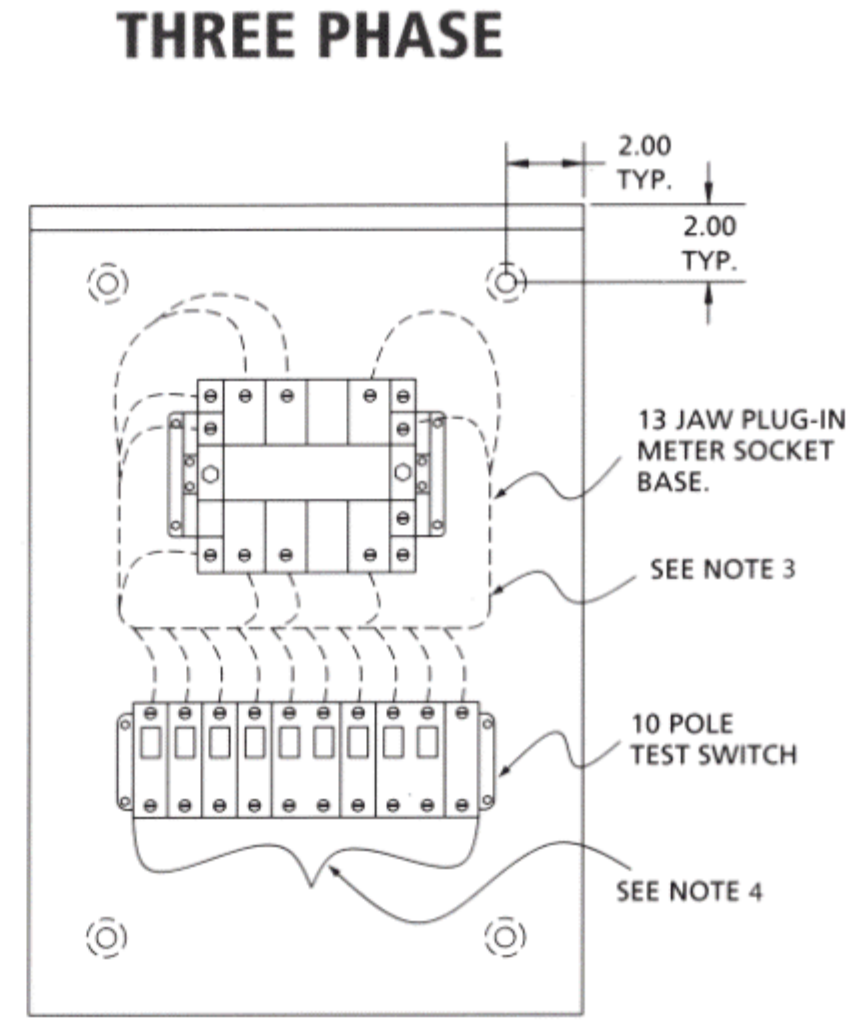
**LIPA METER SOCKET AND TEST SWITCH
(1 AND 3 PHASE)
30 AMP. CONT., 600V AC RATED (NEMA 3R)**



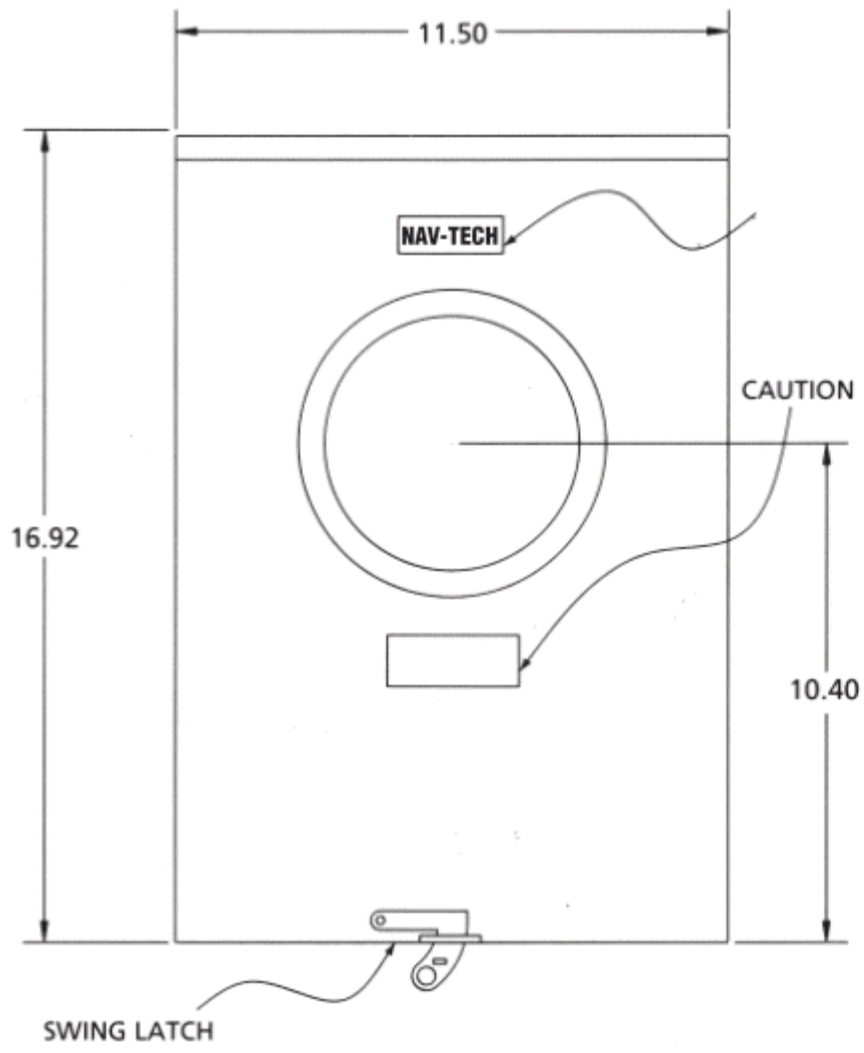
**FRONT VIEW NO COVER
MS7P-TS**



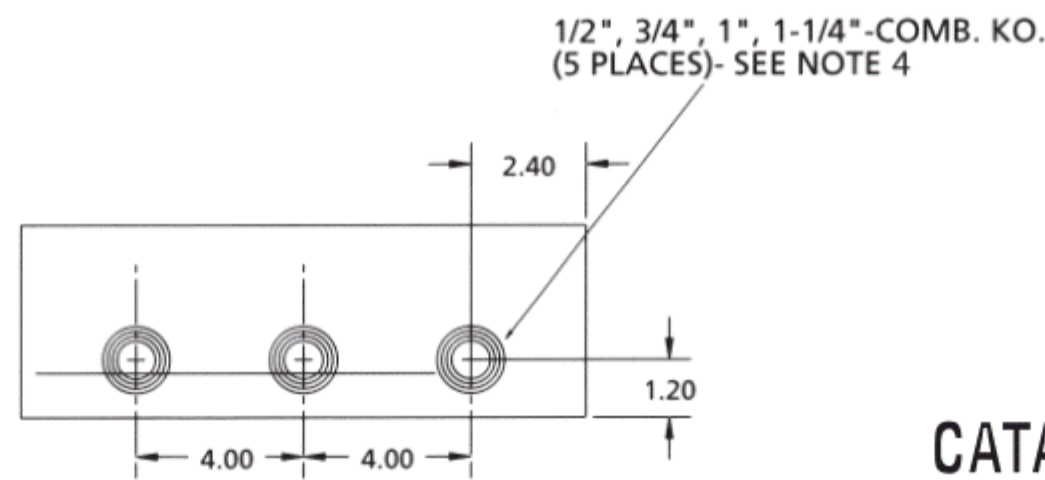
SIDE VIEW



**FRONT VIEW NO COVER
MS10P-TS**

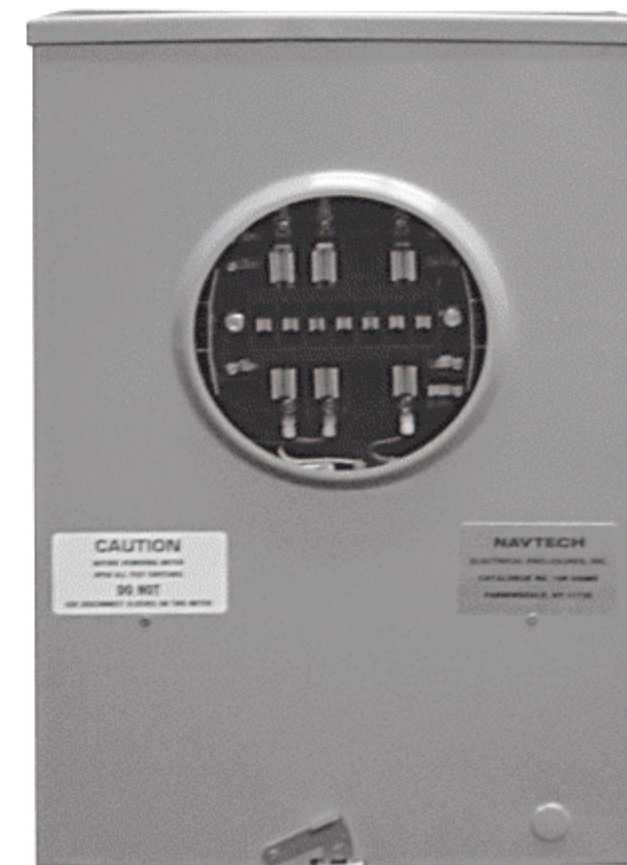


TYPICAL FRONT VIEW



TYPICAL BOTTOM VIEW

**CATALOG NUMBERS
MS10P-TS
MS7P-TS**



1. CABINET SHALL BE RATED NEMA 3R AND SHALL BE CONSTRUCTED FROM CODE GAUGE GALVANIZED OR GALVANNEALED STEEL.
2. **ONLY FACTORY PREFABRICATED KNOCKOUTS ON THE ENCLOSURE SHALL BE USED.**
3. STANDARD #8909A FOR 1 PHASE 3 WIRE FORM 45 METER SOCKET, AND STANDARD #8509A FOR 3 PHASE 4 WIRE WYE FORM 9S METER SOCKET, IS PROVIDED PREWIRED FROM TEST SWITCH TO METER BASE IN ACCORD WITH LIPA CONSTRUCTION.
4. WIRE PROVIDED AND INSTALLED BY CONTRACTOR.

